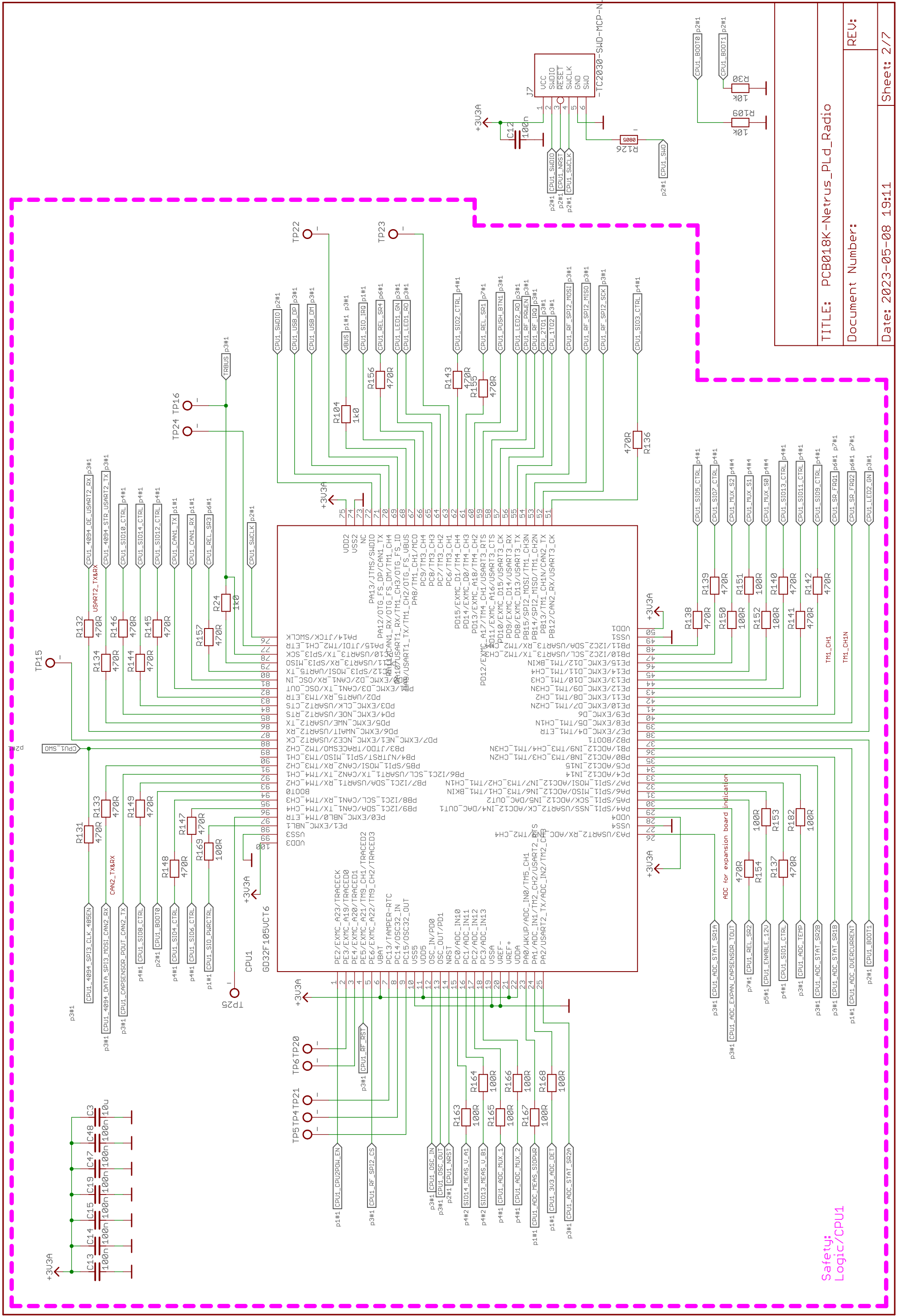


TITLE: PCB018K-Netrus\_PLd\_Radio  
 Document Number:  
 Date: 2023-05-08 19:11  
 REV:  
 Sheet: 1/7



Safety:  
Logic/CPU1

TITLE: PCB018K-Netrus\_PLd\_Radio

Document Number:

REV:

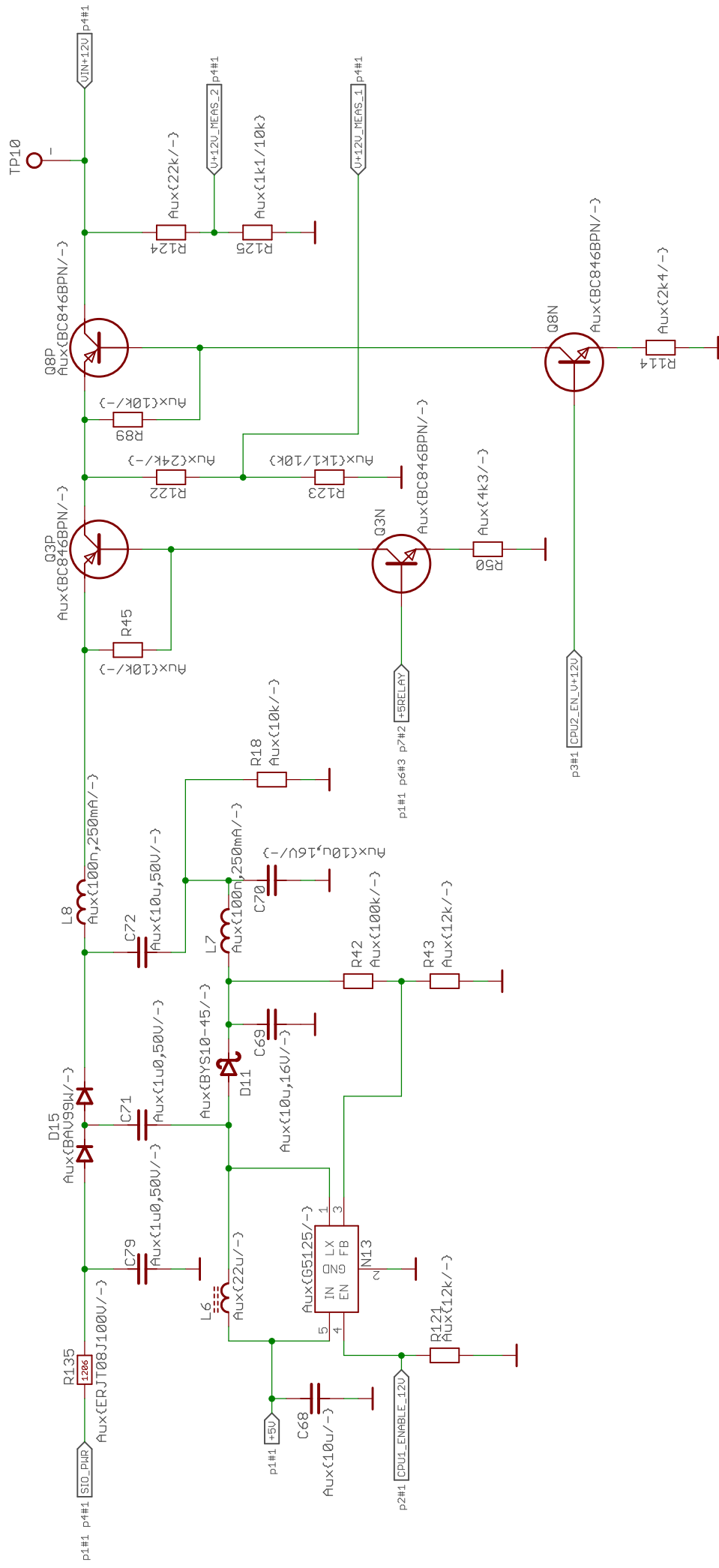
Date: 2023-05-08 19:11

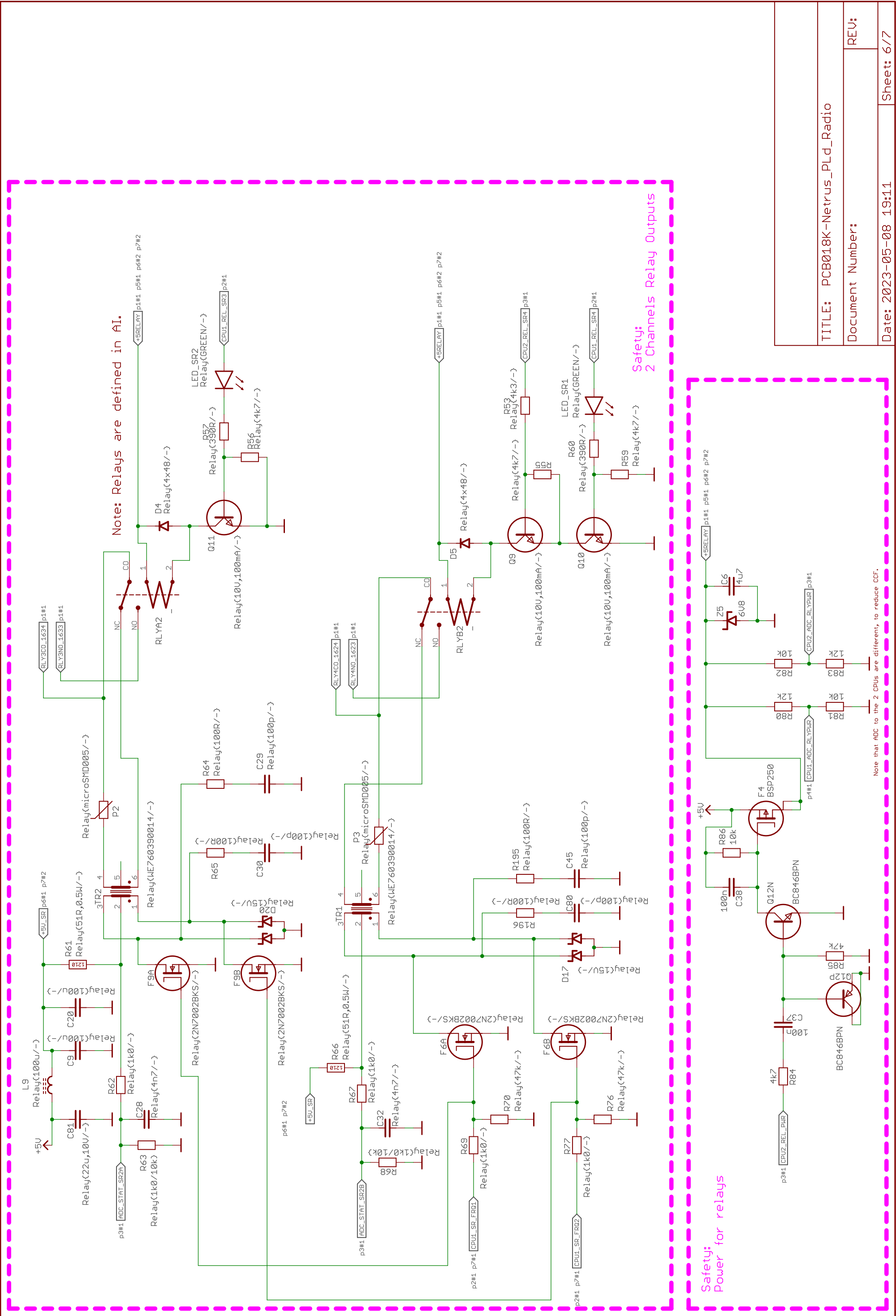
Sheet: 2/7





Safety:  
Power to control Digital Outputs

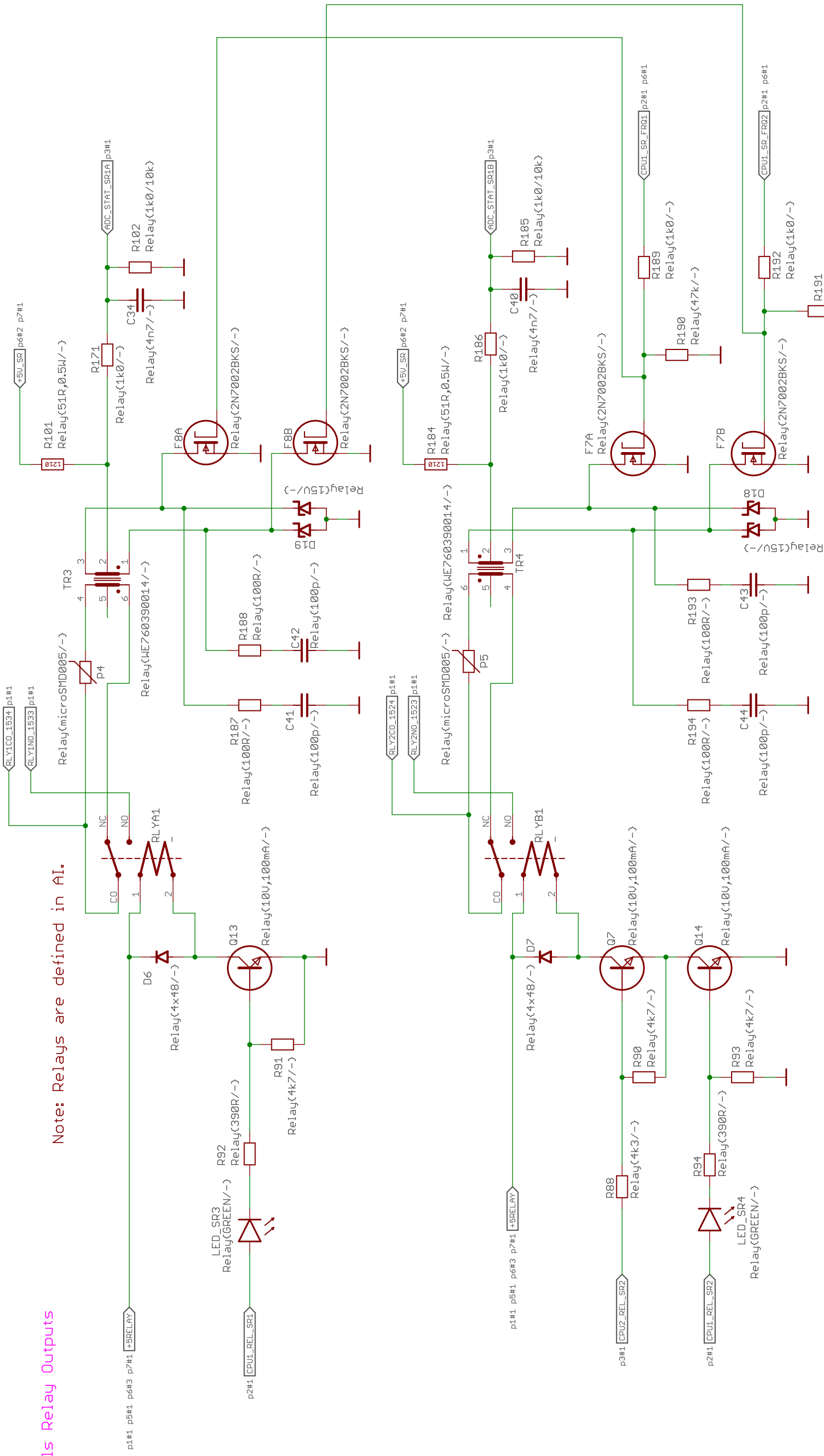




TITLE: PCB018K-Netrus_PLd_Radio	
Document Number:	REV:
Date: 2023-05-08 19:11	Sheet: 6/7

Safety:  
2 Channels Relay Outputs

Note: Relays are defined in AI.



TITLE: PCB018K-Netrus\_PLd\_Radio

Document Number:

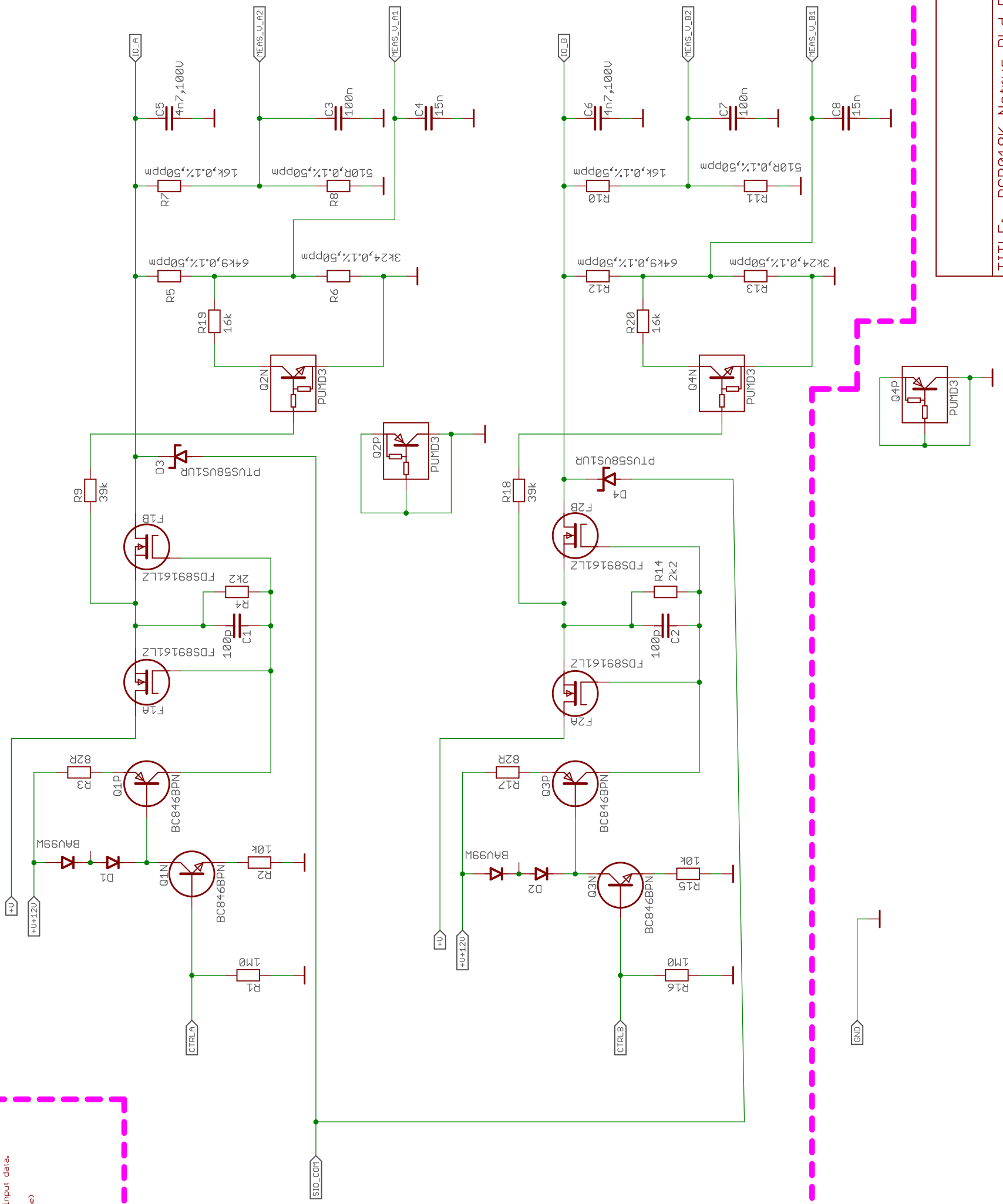
REV:

Date: 2023-05-08 19:11

Sheet: 7/7

OUTPUT:  
 CPU1: ctrl output  
 CPU2: ctrl main power to outputs, and checks feedback from every output  
 INPUT:  
 The inputs need to be in pairs. One to each CPU. They compare the input data.  
 Misc:  
 Can only use output, to check for strong pull-down (only a short time)

Safety:  
 2 Digital Safe I/O



TITLE: PCB018K-Netrus\_PLd\_Radio

Document Number:

REV:

Date: 2023-05-08 19:11

Sheet: 1/1